

**Körperschalllautsprecher EXT-3215F8**

Art. Nr. 105016

**Specification:**

NO	ITEM	SPECIFICATION
1	Mechanical Layout & Dimensions	Shown in the Exciter-02.Drw
2	Nominal Impedance	$8\Omega \pm 15\%$ at 1KHZ, 1.0V (D.C.R= $7.2\Omega \pm 10\%$ )
3	Input Power	Nom. Input 20W
		Max. Input 40 W
4	Operation	8.94Volt (200Hz-20KHz) Sweep Time at 2s
5	Resonance <del>FerQ</del> . F0	$200 \pm 20\%$ HZ (F0 Meter)
6	Flux Density	12500 GAUSS $\pm 10\%$
7	Insulation Resistance	No Less than 1M at DC 100V
8	Polarity	When positive voltage is applied to the (+) Terminal, Voice Coil should move out of the Air gap.
9	Weight	$120g \pm 10\%$ (Exciter weight)
10	Power Test	IEC 268-5 12.64V 48 Hours
11	Heat Resistance	Temperature: $+60^{\circ}\text{C} \pm 2^{\circ}\text{C}$
		Duration: 24 hours
12	Humidity Resistance	Temperature: $+40^{\circ}\text{C} \pm 2^{\circ}\text{C}$
		Relative Humidity: 93(+2/-3)%
		Duration: 48 Hours(GB)
13	Low Resistance	Temperature: $-10^{\circ}\text{C} \pm 3^{\circ}\text{C}$ testing 1 Hours (GB)
		And then $-20^{\circ}\text{C} \pm 3^{\circ}\text{C}$ testing 2 Hours(GB)
14	Dropping Test	$600 \pm 25\text{mm}$ $60^{\circ} \pm 5^{\circ}$ (GB)

**Körperschalllautsprecher EXT-3215F8**

Art. Nr. 105016

**Sample Testing Report:**

NO	ITEM	TESTING CONDITIONS	No1	No2	No3	No4	Result
1	Speaker Size	Out Diameter : $\Phi$ 58.5*58.5 $\pm$ 0.3mm	58.5* 5	58.5* 5	/	/	OK
2	Impedance	8 $\Omega$ $\pm$ 15 % At 1KHZ,1.0V (D.C.R: 7.2 $\Omega$ $\pm$ 10%)	8.5 7.2	58.5 7.2	/	/	OK
3	Resonance Frequency	200Hz $\pm$ 20% (F0 Meter)	200	200	/	/	OK
4	Buzz & Rattle Test	Must Be Normal: Wave8.94V (Form 200Hz To 20KHz )	√	√	/	/	OK
5	Polarity	When a positive D.C voltage is applied To the voice coil terminal marked to Diaphragm should move to the front	√	√	/	/	OK
6	Flux Density	12500 GAUSS $\pm$ 10%	12500	12500	/	/	OK
7	Power Test	IEC 268-5 12.64V 48 Hours	√	√	/	/	OK
8	Heat Resistance	Temperature: +60 $^{\circ}$ C $\pm$ 2 $^{\circ}$ C Duration: 24 Hours	√	√	/	/	OK
9	Humidity Resistance	Temperature: +40 $^{\circ}$ C $\pm$ 2 $^{\circ}$ C Relative Humidity: 93(+2/-3)% Duration: 48 Hours(GB)	√	√	/	/	OK
10	Low Temperature	Temperature: -10 $^{\circ}$ C $\pm$ 3 $^{\circ}$ C testing 1 Hours And then -20 $^{\circ}$ C $\pm$ 3 $^{\circ}$ C testing 2 Hours(GB)	√	√	/	/	OK
11	Dropping Test	600mm $\pm$ 25mm 60 $^{\circ}$ $\pm$ 5 $^{\circ}$ (GB)	√	√	/	/	OK

**Körperschalllautsprecher EXT-3215F8**

Art. Nr. 105016

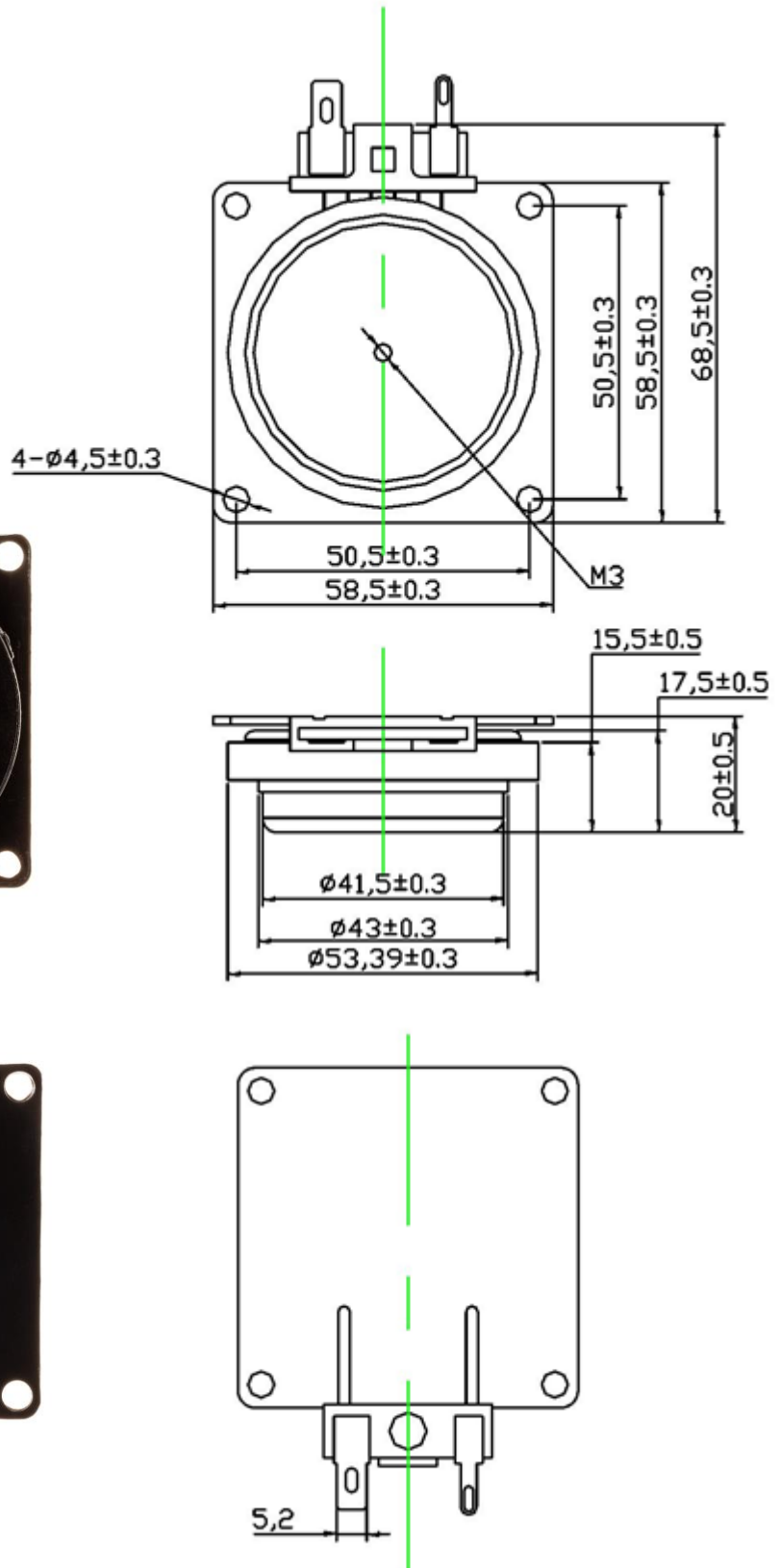
**RoHS Substance Confirmation Form:**

NO	SUPPLY ITEM		RoHS Substance Inspection Result						Survey Report No ( 6 Material )
			Cd	Pb	Hg	Cr6+	PBB	PBDE	
	Item	Material	100	1000	1000	1000	1000	1000	Ppm
1	磁珠	N40	ND	ND	ND	Negative	ND	ND	ECL01I001310004C
			OK	OK	OK	OK	OK	OK	2016/01/12
2	华司	Fe	ND	ND	ND	Negative	ND	ND	SCL01H014051001C
			OK	OK	OK	OK	OK	OK	2015/03/10
3	音圈	KSV	ND	ND	ND	ND	ND	ND	KA/2015/91132
			OK	OK	OK	OK	OK	OK	2015/09/25
4	面板	ABS	ND	ND	ND	ND	ND	ND	CE/2011/71321A
			OK	OK	OK	OK	OK	OK	2011/07/13
5	支架	ABS	ND	ND	ND	ND	ND	ND	KA/2015/C1706
			OK	OK	OK	OK	OK	OK	2015/01/06
6	端子	/	ND	ND	ND	Negative	ND	ND	KA/2015/91132
			OK	OK	OK	OK	OK	OK	2015/09/25
7	胶水	GF6000	ND	ND	ND	ND	ND	ND	KA/2015/91132
			OK	OK	OK	OK	OK	OK	2015/09/25

**Körperschalllautsprecher EXT-3215F8**

Art. Nr. 105016

**Dimension:**



**Körperschalllautsprecher EXT-3215F8**

Art. Nr. 105016

